



Connect the AC power supply cord to the Inogen One® G3 and plug the power supply AC cord into an electrical outlet. **Do Not Power ON** the Inogen One® G3 concentrator.



Press and hold the light button for 10 seconds and screen will display “sieve reset”. Release button once message is displayed on screen. Press the bell button once and screen will display “sieve reset successful”. Press the power button to turn on the Inogen One® G3, and use normally.

Your Equipment Provider:

Your Physician:



326 Bollay Drive,
Goleta, CA 93117
1-877-4-INOGEN (Toll Free)
1-877-446-6436 (Toll Free)
1-805-562-0515 (International)
info@inogen.net
www.inogen.com

INOGEN ONE® G3 Column Change Procedure



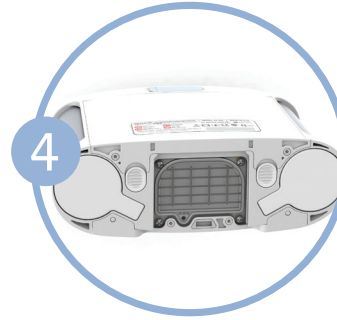
INOGEN ONE® G3

To change the columns on your Inogen One G3, first:

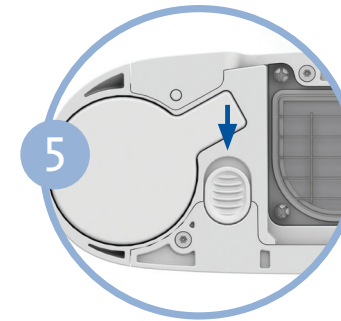
- 1 Turn off the Inogen One® G3 concentrator by pressing the power button to shut down the device.
- 2 Remove the Inogen One® G3 concentrator from the carry bag.



Remove the battery from the Inogen One® G3 concentrator.



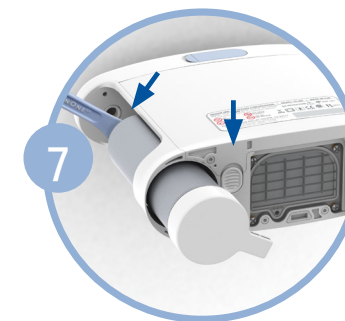
Turn the Inogen One® G3 over so that is standing in the upside down position where the display panel is facing down and the bottom of the Inogen One® G3 is facing up.



Remove column by pressing the latch button with thumb or finger.



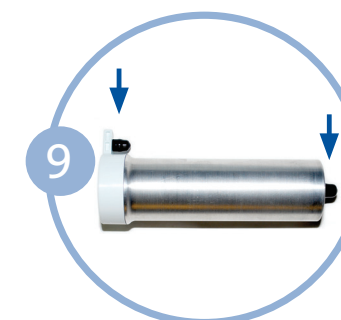
While holding the button open, insert the column tool underneath the opposite side of the column (metal tube) with other hand.



While still holding the button open, slide the column (metal tube) out by pushing with the column tool.



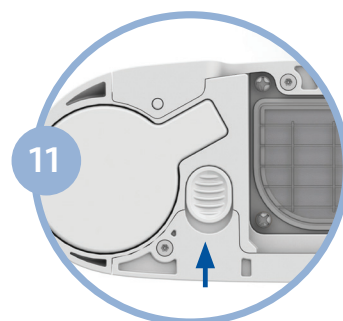
Remove the column completely from the Inogen One® G3. And then repeat steps 5 - 7 for the other column.



For the column installation, remove dust caps of new column. Make sure there is no dust or debris where the dust caps were located.



Insert column into the Inogen One® G3 concentrator. Do not leave the column exposed; it should be inserted into the Inogen One® G3 as soon as the dust caps have been removed.



Push the column into the device such that the column is fully seated into the Inogen One® G3 concentrator. The spring loaded latch button should fully return to the locked and closed position. Repeat steps 8-10 to install the other column.

NOTE Column change instructions are only to be used when maintenance is required and are not intended for practice purpose.